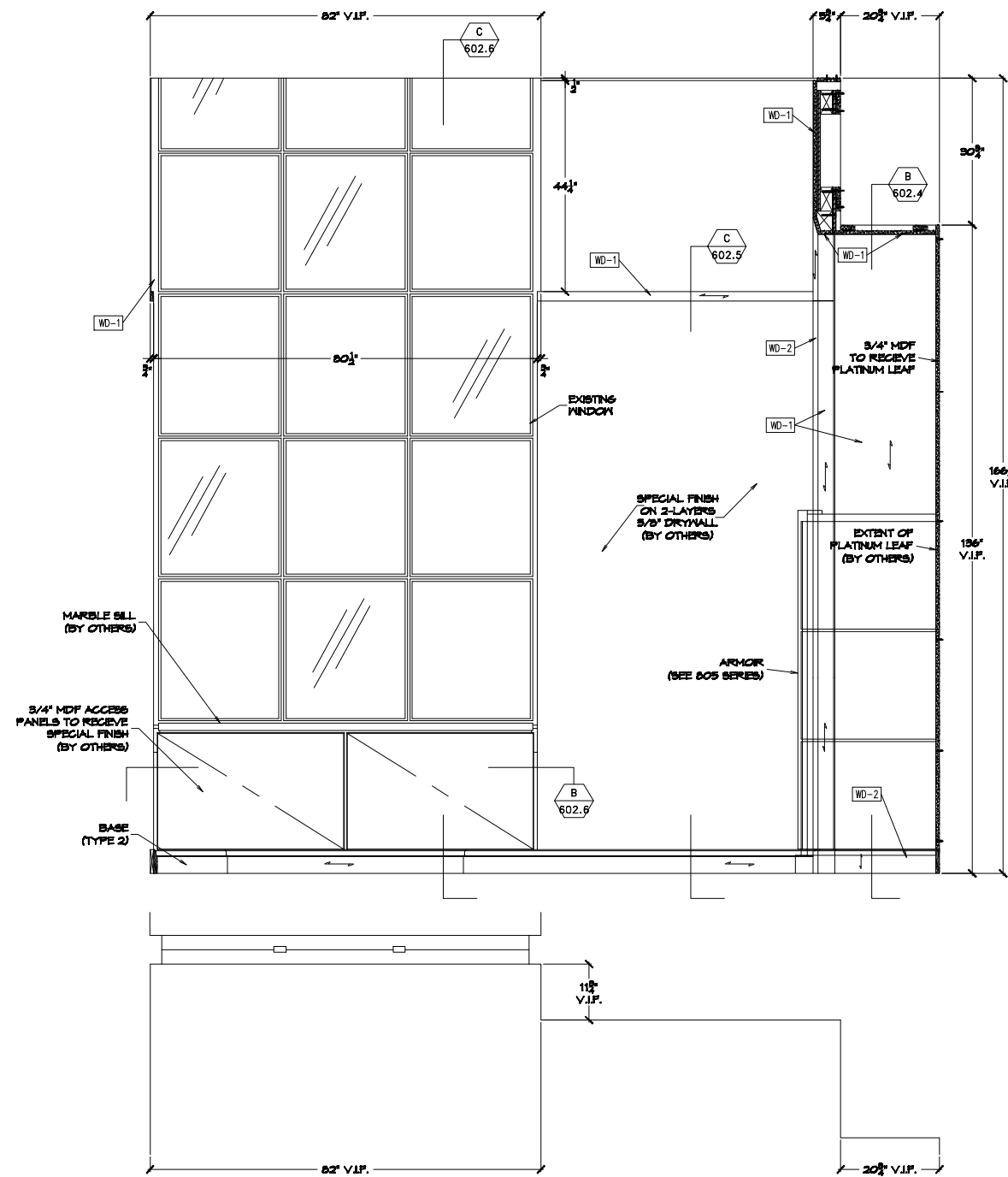


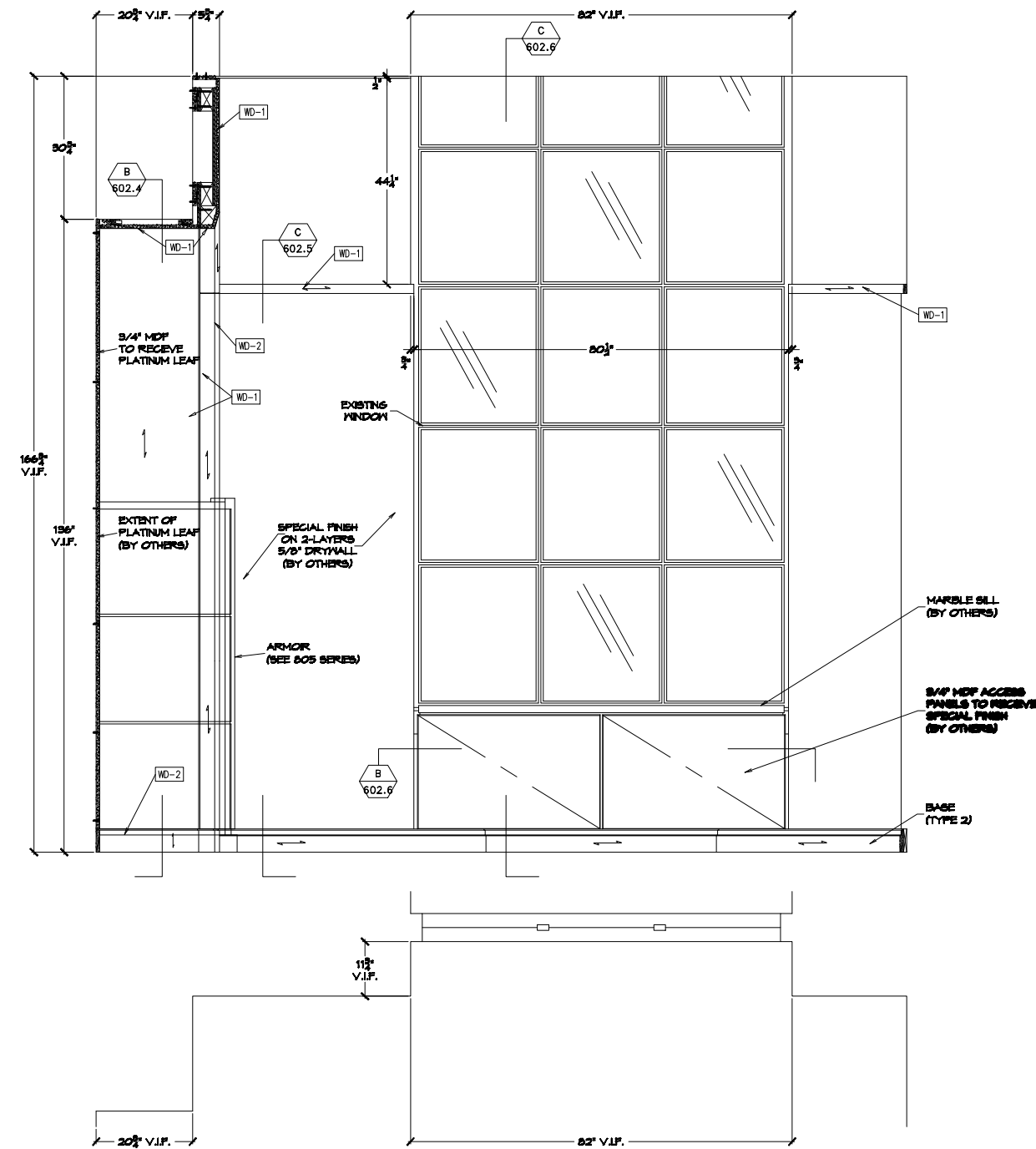
1 PLAN VIEW, CONSULTATION
SCALE: 3/4"=1'0" REF: 1/D2.7

2 EA. REQ'D.
AS SHOWN

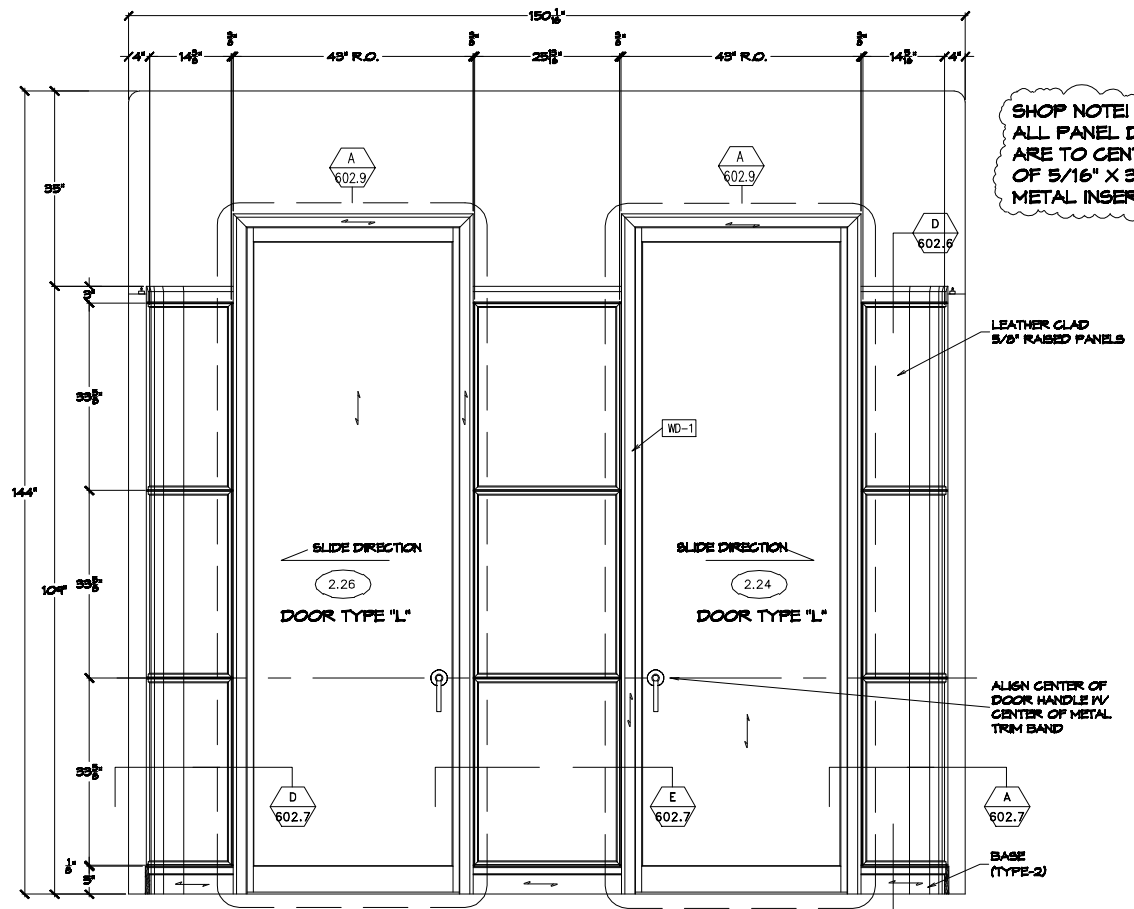
2 ELEVATION, PRIVATE CONSULT NICHE
SCALE: 3/4"=1'0" REF: 58&60/D2.14



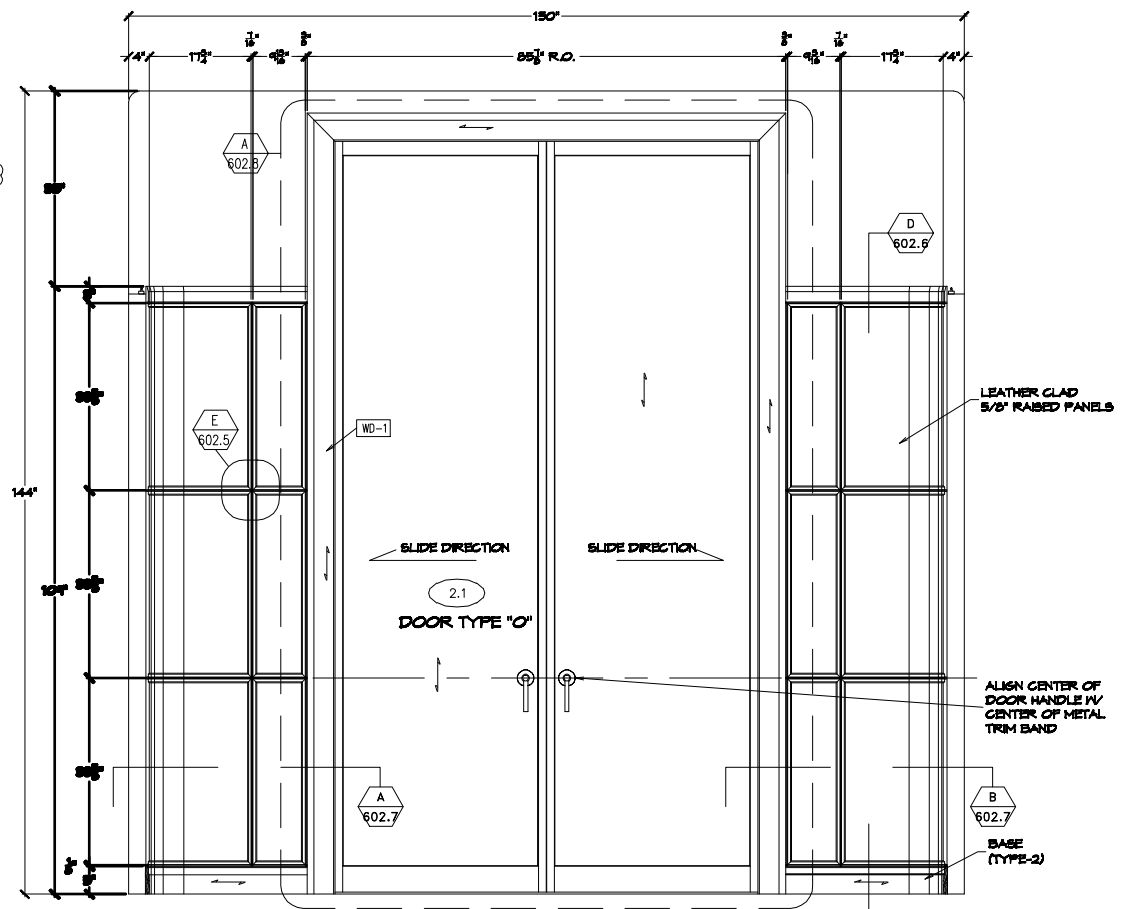
1 ELEVATION, PRIVATE CONSULT #216
602.2 SCALE: 3/4"=1'0" REF: 63/D2.14



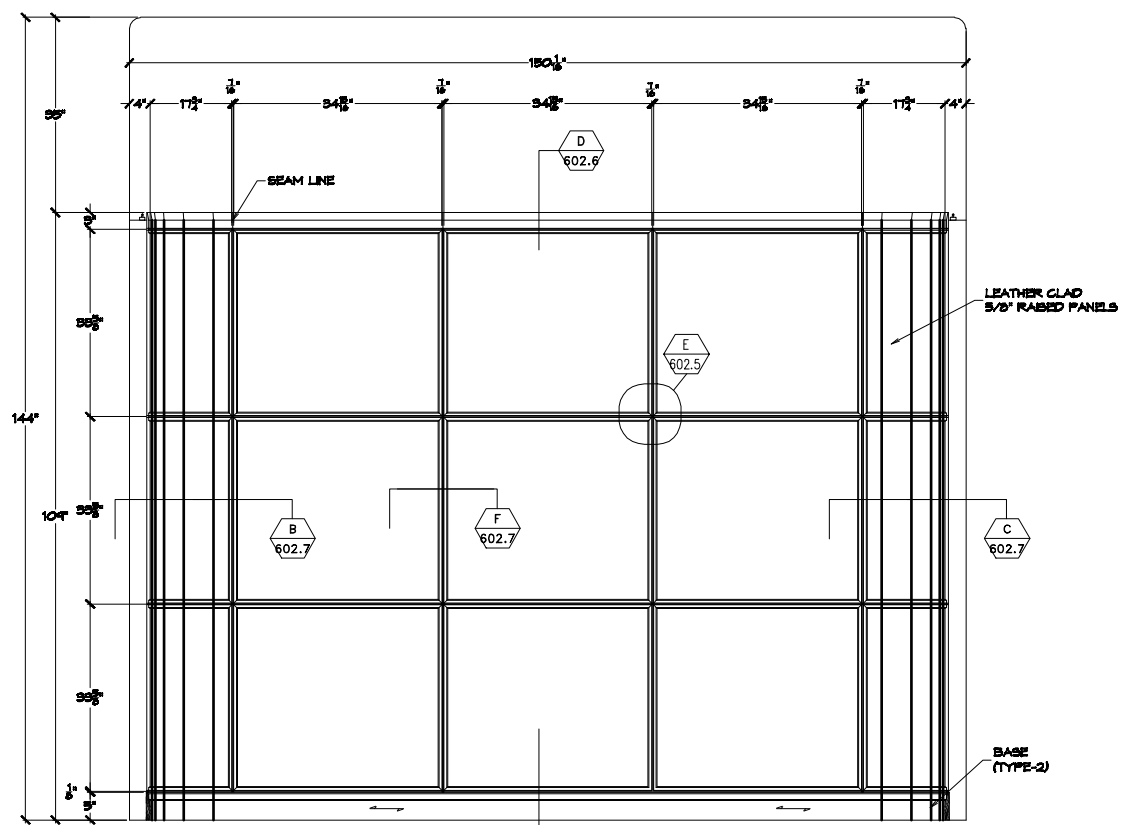
2 ELEVATION, PRIVATE CONSULT #217
602.2 SCALE: 3/4"=1'0" REF: 59/D2.14



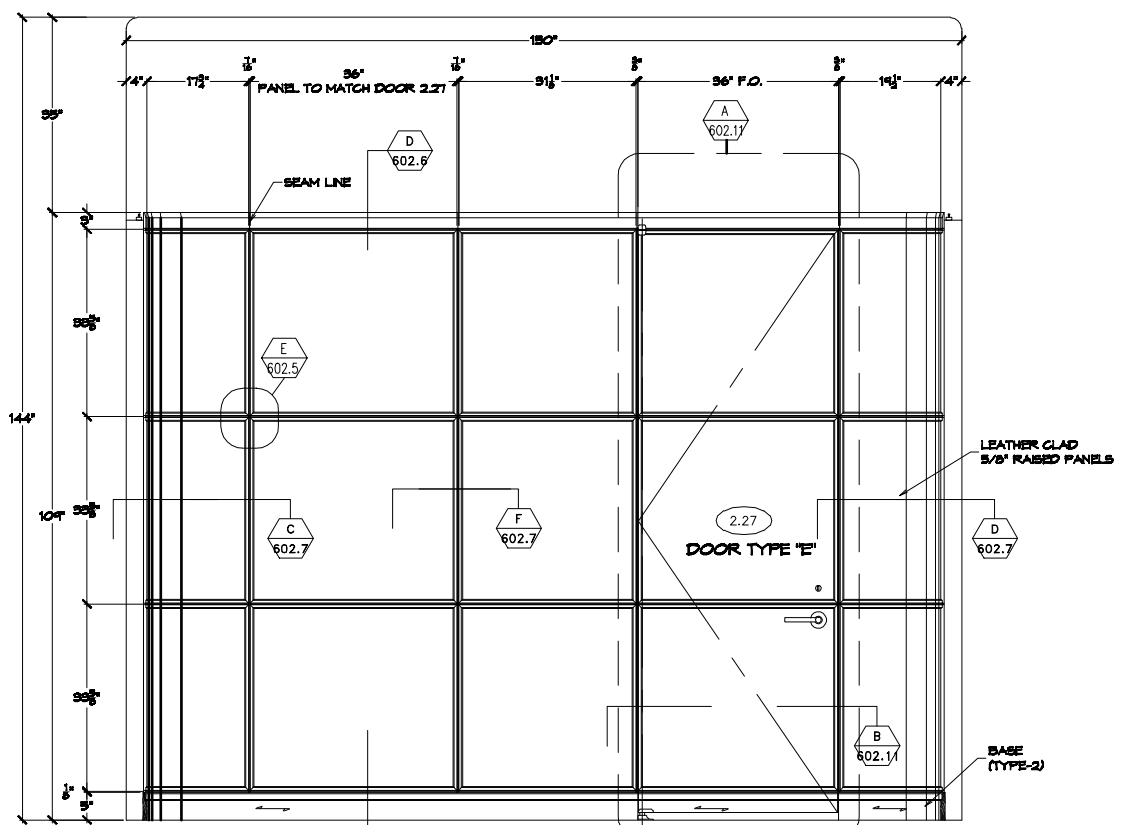
1 WEST ELEV., CONSULTATION, #214
602.3 SCALE: 3/4"=1'0" REF: 55/D2.13



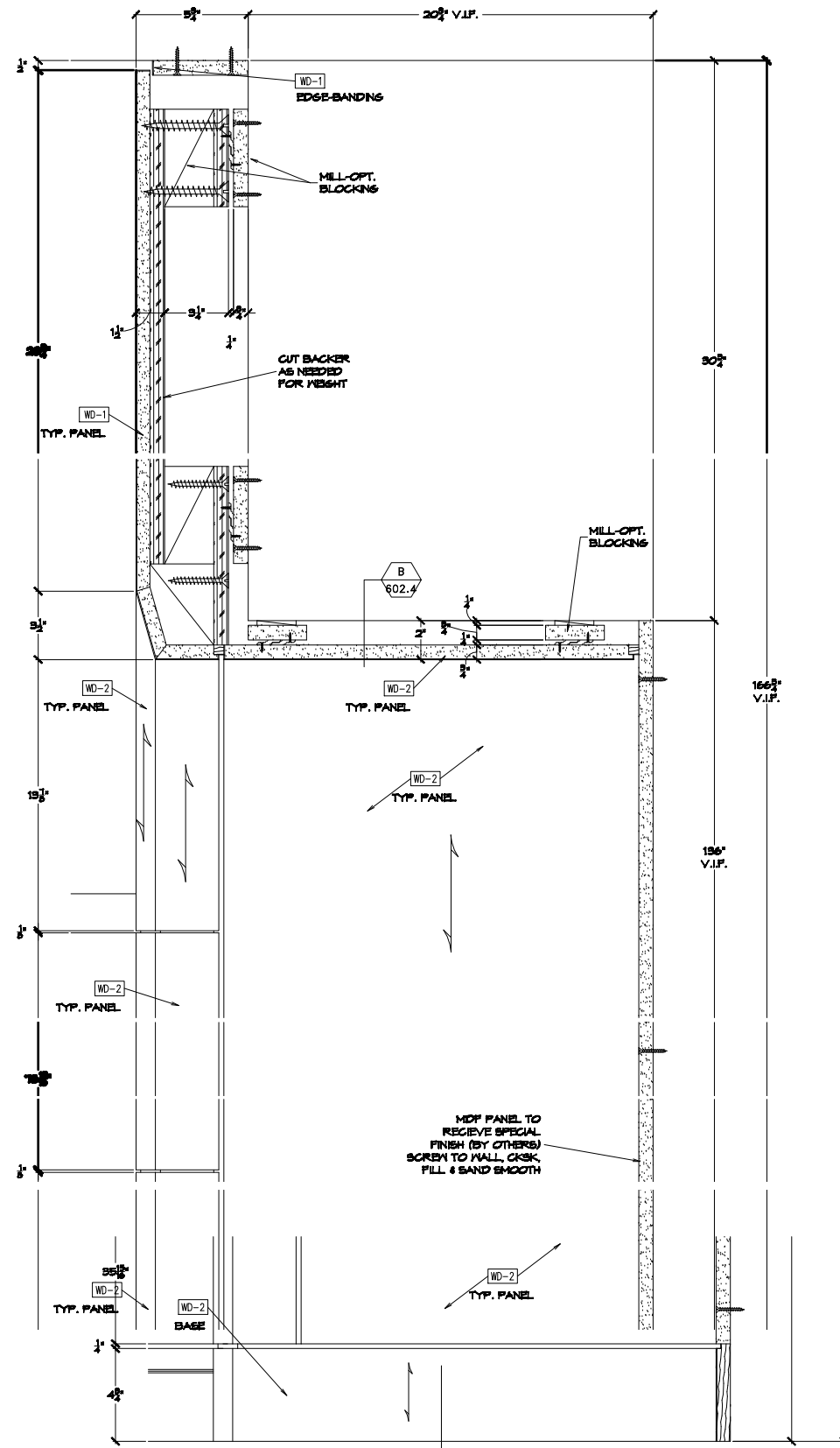
2 NORTH ELEV., CONSULTATION, #214
602.3 SCALE: 3/4"=1'0" REF: 52/D2.13



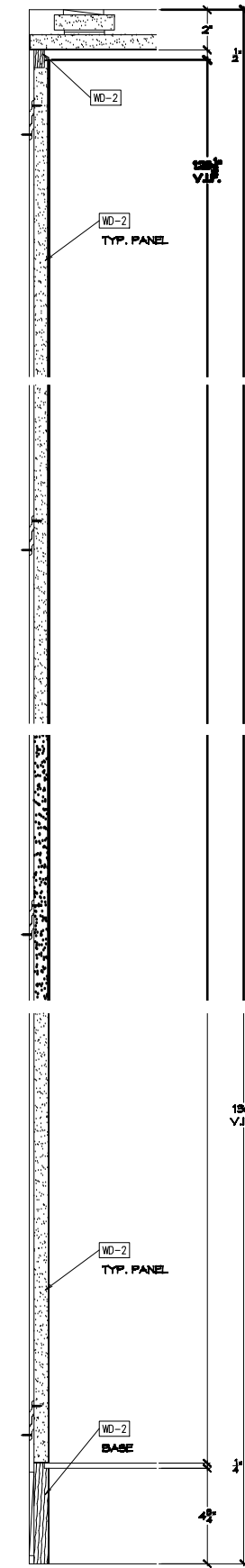
3 EAST ELEV., CONSULTATION, #214
602.3 SCALE: 3/4"=1'0" REF: 53/D2.13



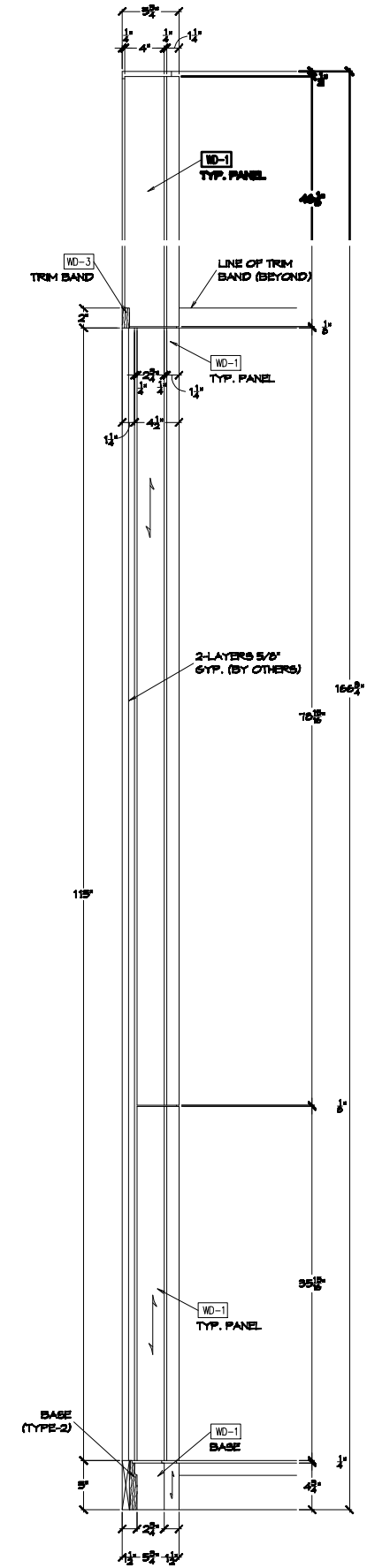
4 SOUTH ELEV., CONSULTATION, #214
602.3 SCALE: 3/4"=1'0" REF: 53/D2.13



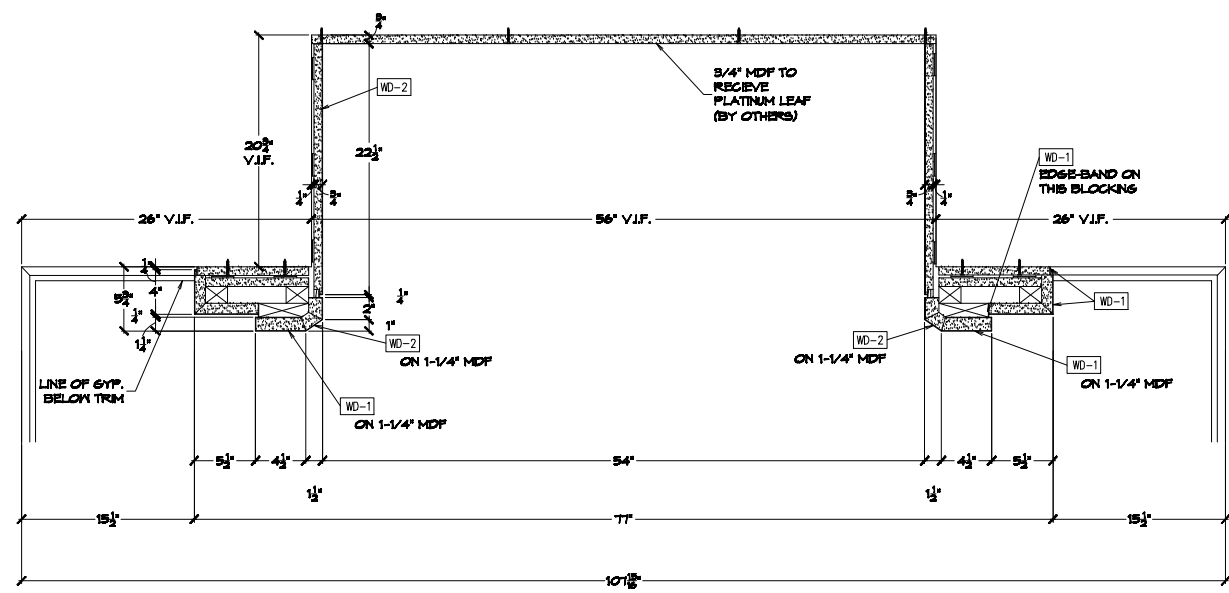
A SECTION @ NICHE
 602.4 SCALE: 3"=10" REF: NONE



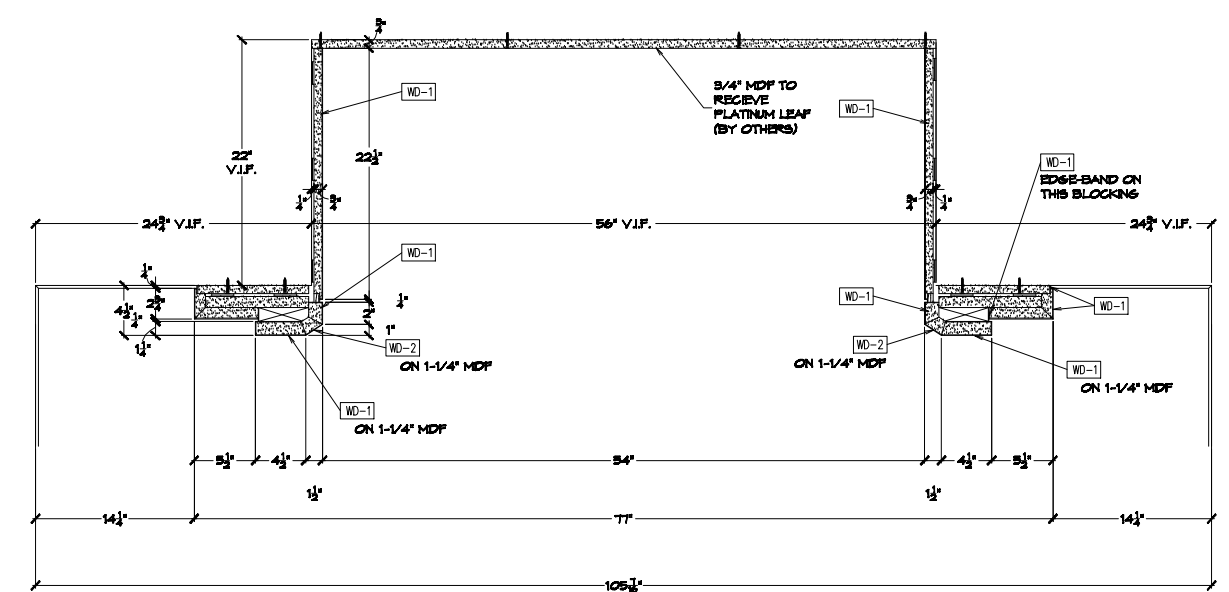
B SECTION @ NICHE
 602.4 SCALE: 3"=10" REF: NONE



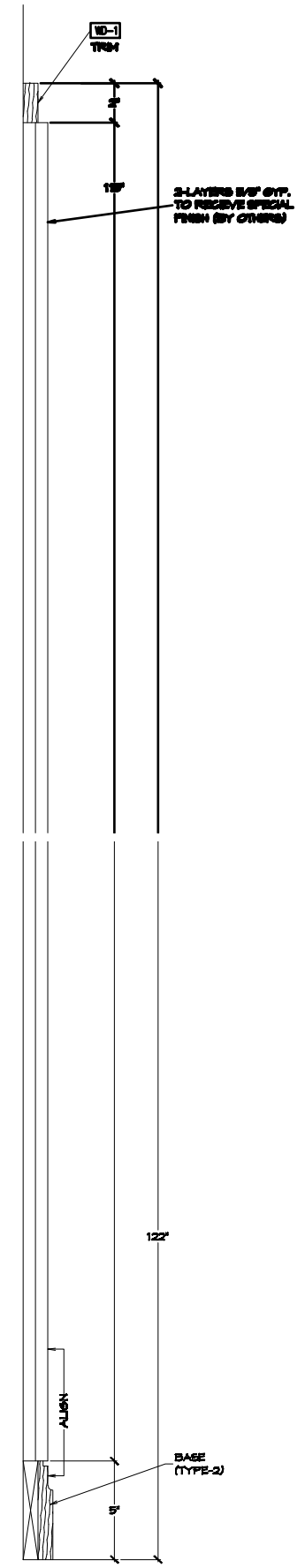
1 ELEVATION @ NICHE
 602.4 SCALE: 1-1/2"=10" REF: NONE



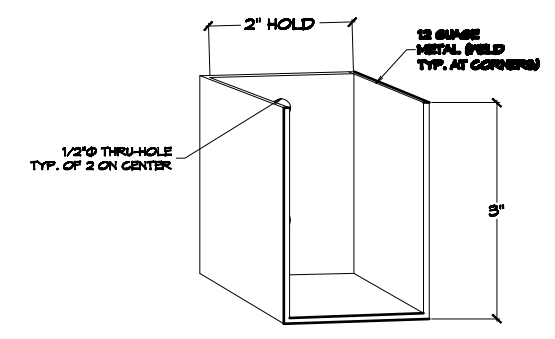
A UPPER PLAN SECTION @ NICHE
602.5 SCALE: 1-1/2"=1'0" REF: 5/SD23



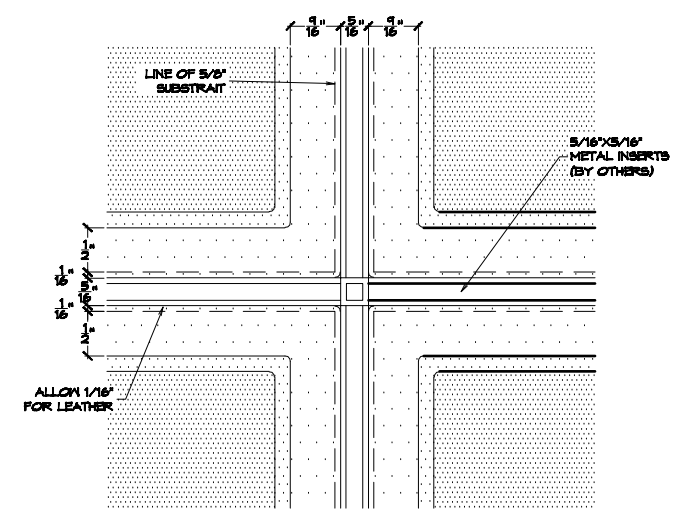
B LOWER PLAN SECTION @ NICHE
602.5 SCALE: 1-1/2"=1'0" REF: 5/SD23



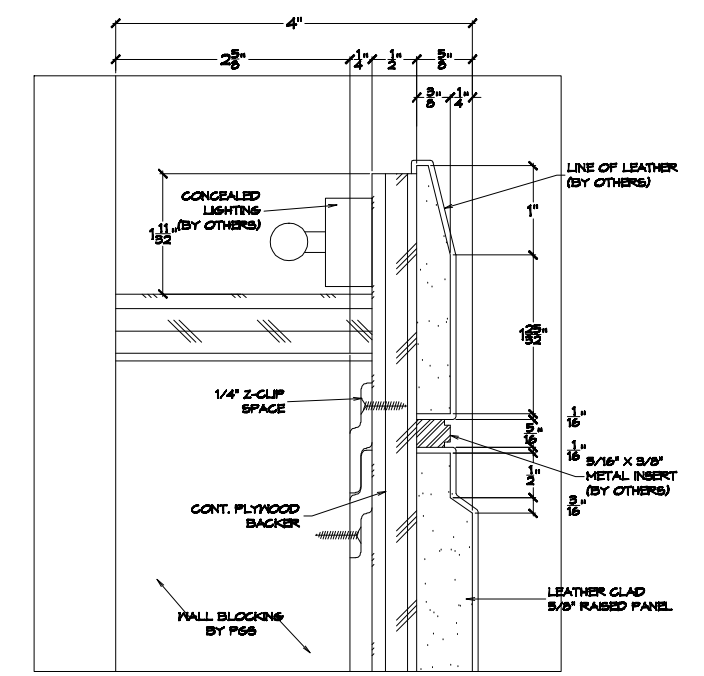
C TYP. SECTION @ TRIMS
602.5 SCALE: 3"=1'0" REF: NONE



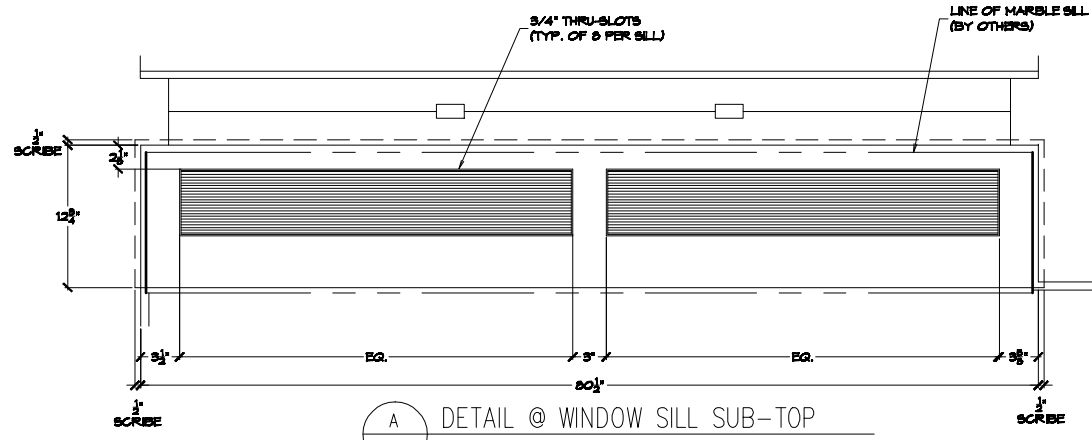
D SADDLE DETAIL
602.5 SCALE: 12"=1'0" REF: NONE



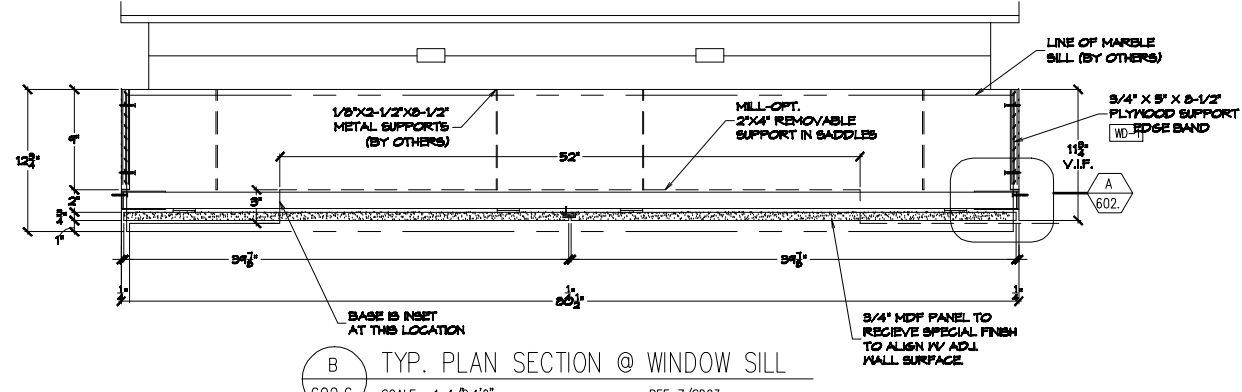
E LEATHER PANELING DETAIL
602.5 SCALE: 12"=1'0" REF: 6A/SD22



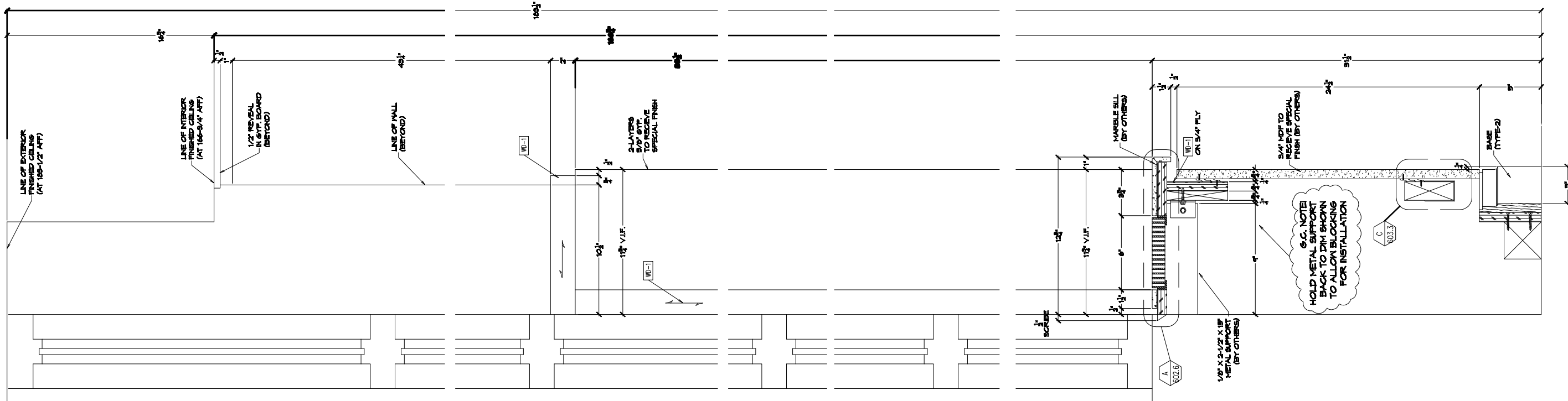
F DETAIL AT HEAD
602.5 SCALE: 12"=1'0" REF: NONE



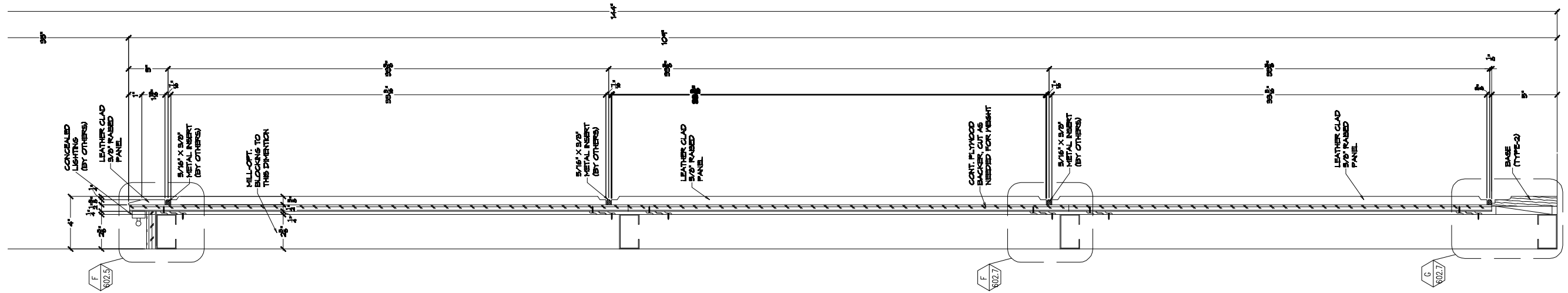
A DETAIL @ WINDOW SILL SUB-TOP
602.6 SCALE: 1-1/2"=1'0" REF: 7/SD23



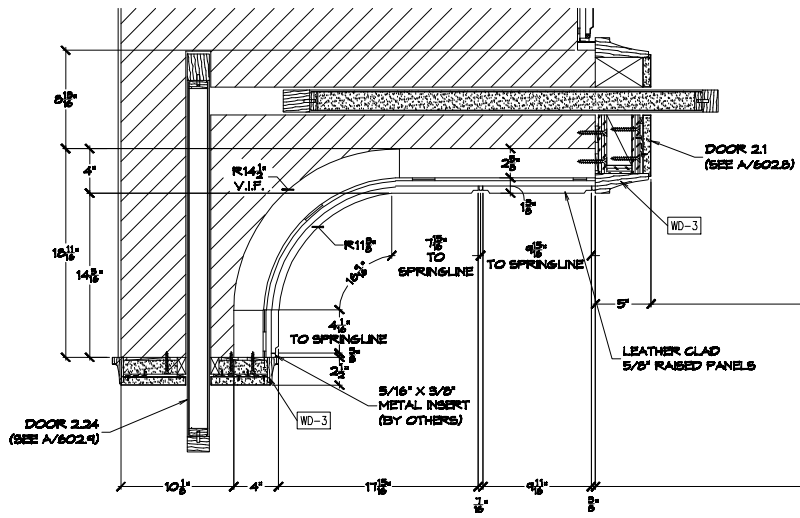
B TYP. PLAN SECTION @ WINDOW SILL
602.6 SCALE: 1-1/2"=1'0" REF: 7/SD23



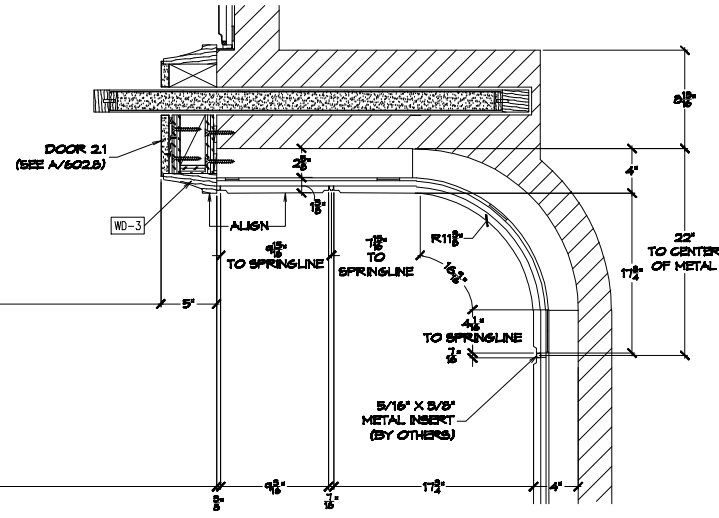
C TYP. SECTION @ WINDOW SILL
602.6 SCALE: 3\"/>



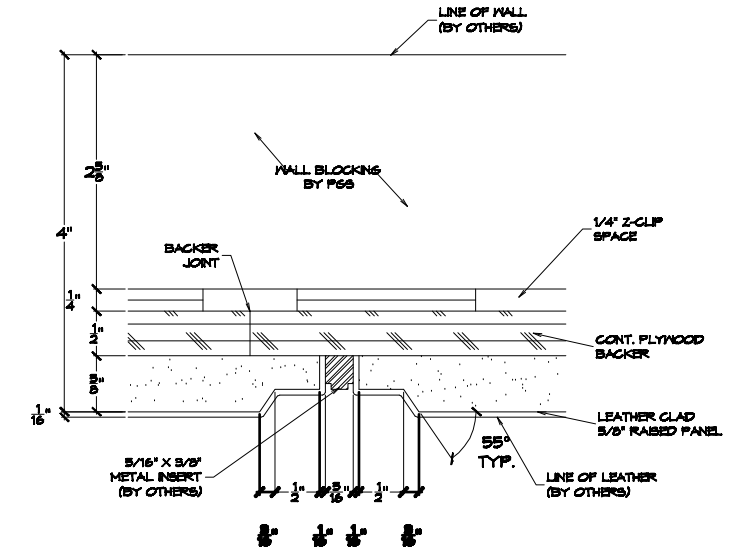
D TYP. SECTION @ CURVED PANELS
602.6 SCALE: 3\"/>



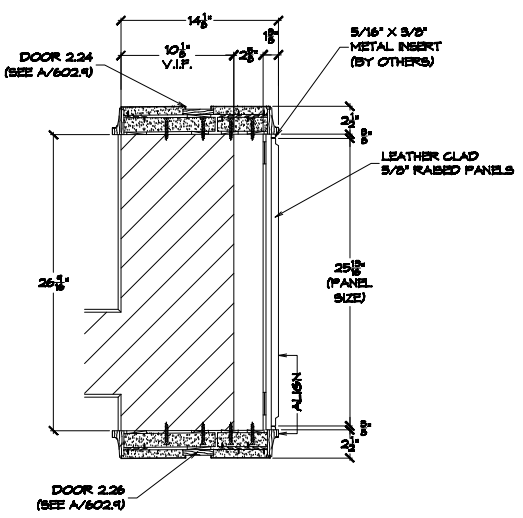
A PLAN SECTION @ LEATHER PANELING
602.7 SCALE: 1-1/2"=1'0" REF: 4/SD22



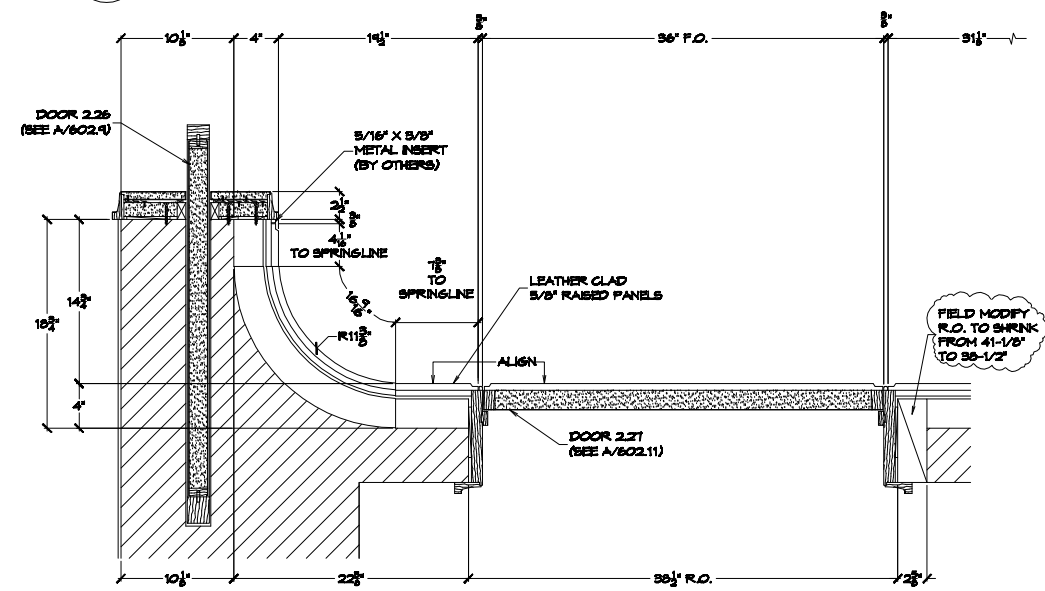
B PLAN SECTION @ LEATHER PANELING
602.7 SCALE: 1-1/2"=1'0" REF: NONE



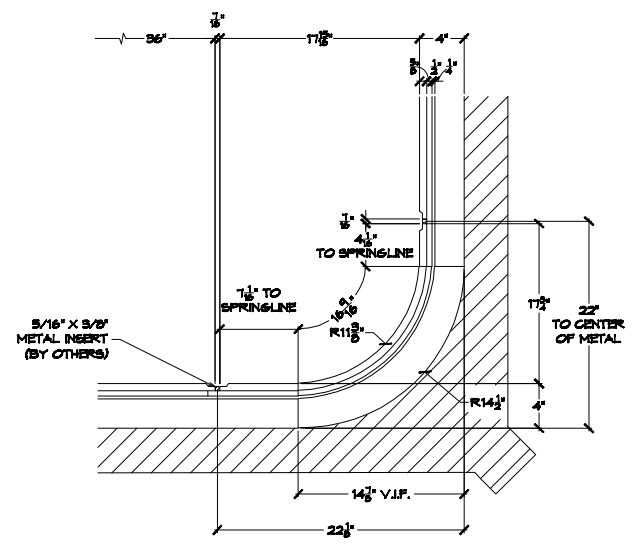
F TYP. DETAIL AT VERT/HORIZ INTERSECTION
602.7 SCALE: 12"=1'0" REF: NONE



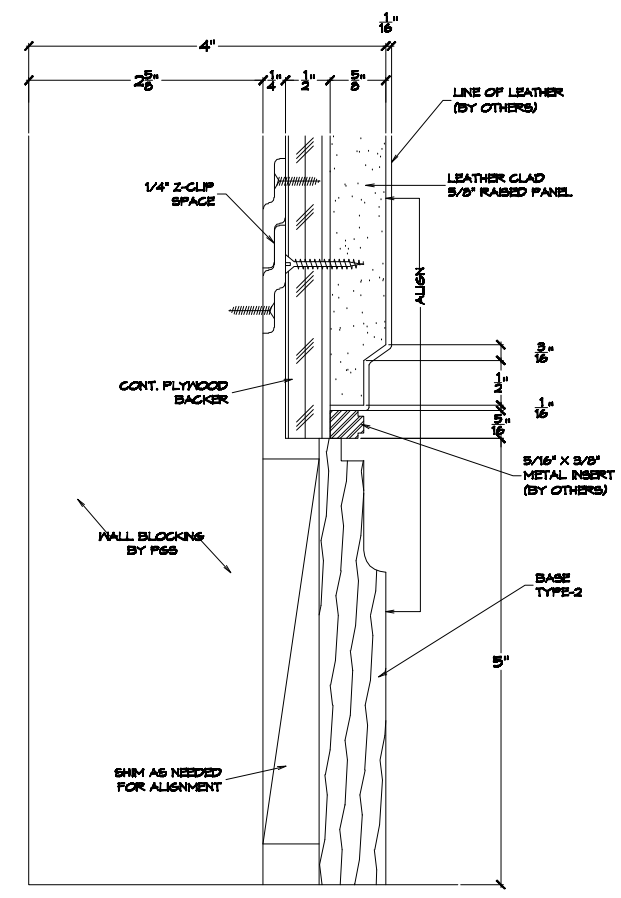
E PLAN SECTION @ LEATHER PANELING
602.7 SCALE: 1-1/2"=1'0" REF: NONE



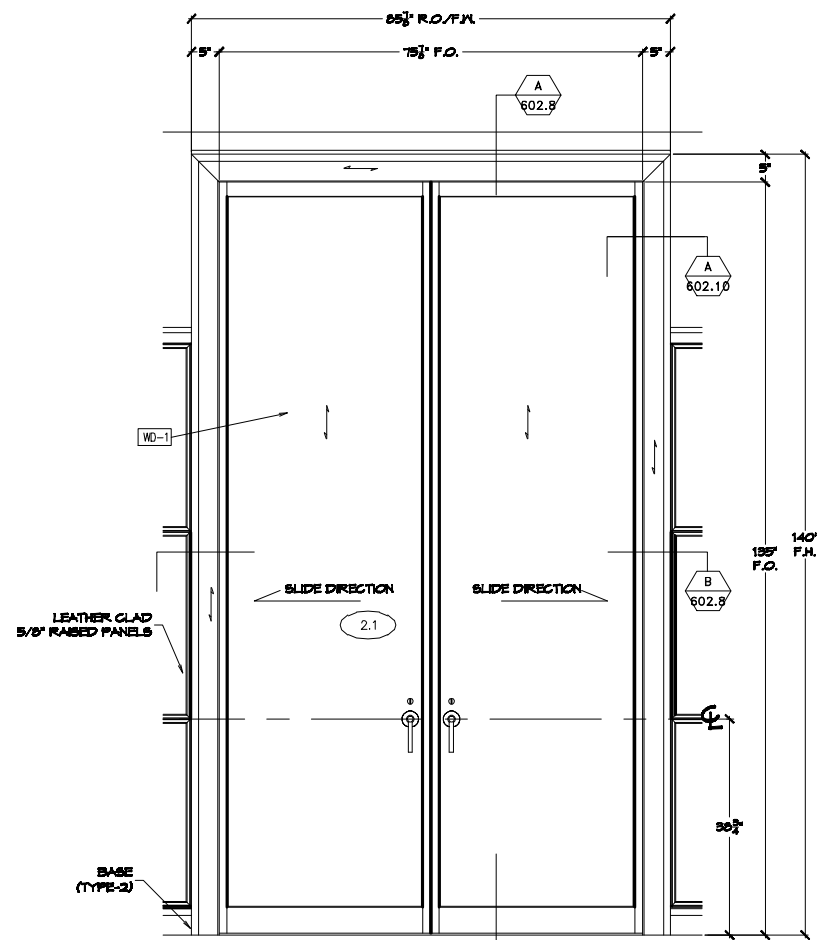
D PLAN SECTION @ LEATHER PANELING
602.7 SCALE: 1-1/2"=1'0" REF: NONE



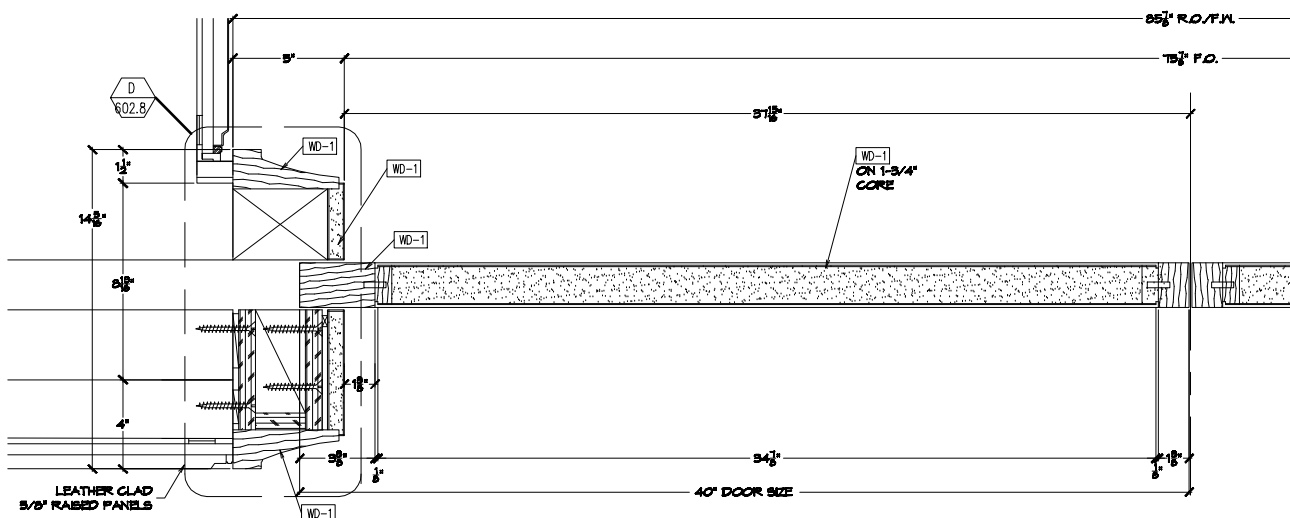
C PLAN SECTION @ LEATHER PANELING
602.7 SCALE: 1-1/2"=1'0" REF: NONE



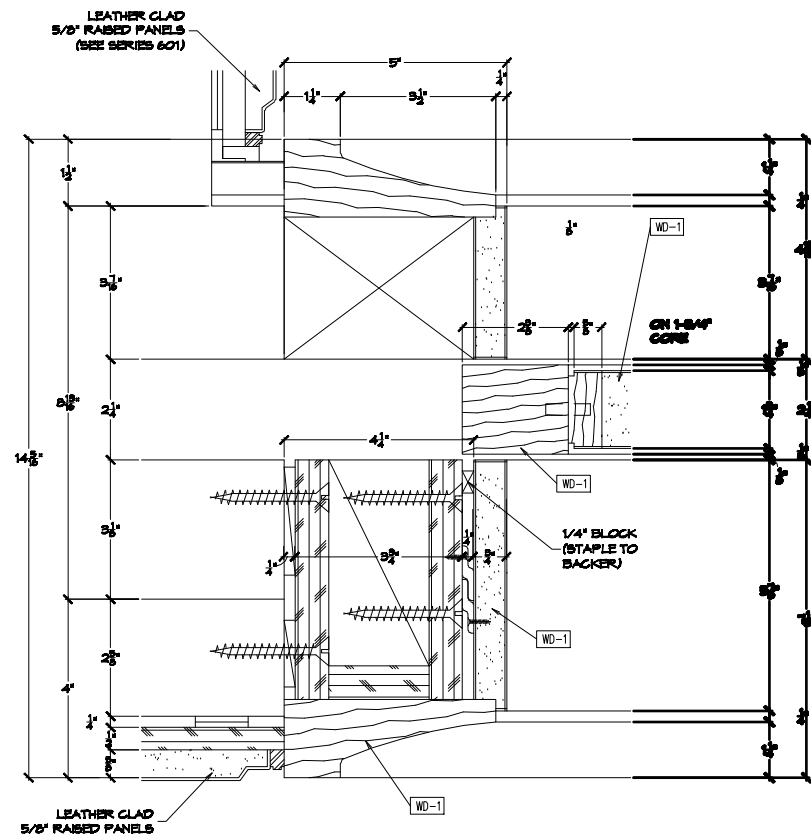
G TYP. DETAIL AT BASE
602.7 SCALE: 12"=1'0" REF: NONE



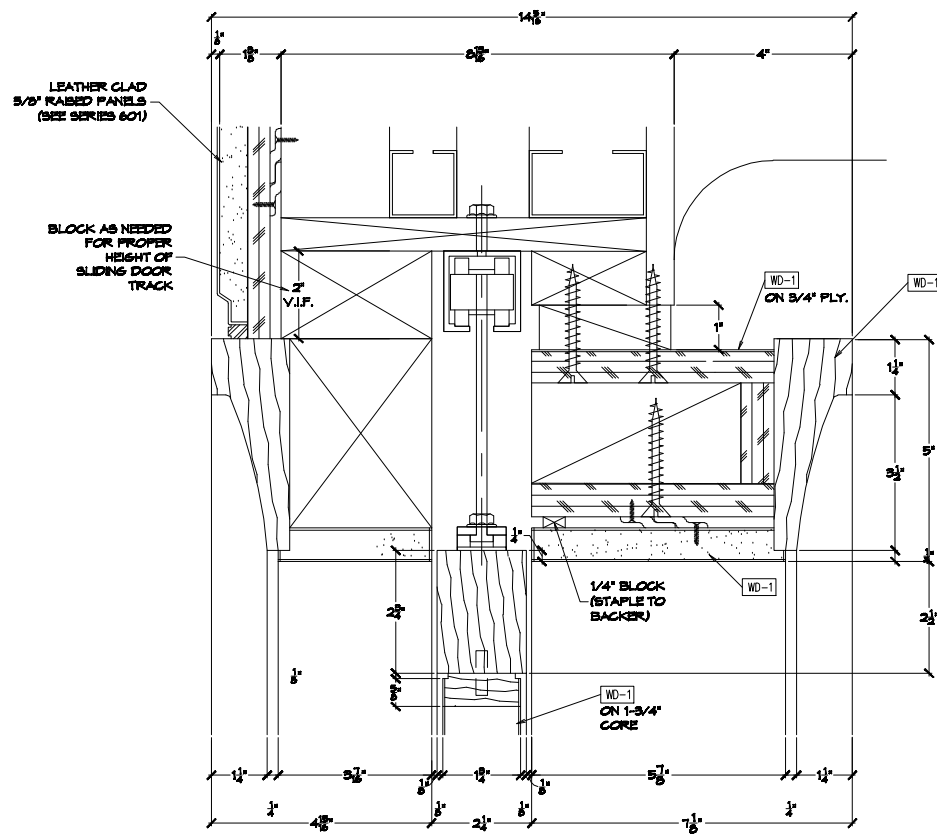
1 ELEVATION - TYPE "O" DOOR
602.8 SCALE: 3/4"=1'0" REF: 52/D2.13



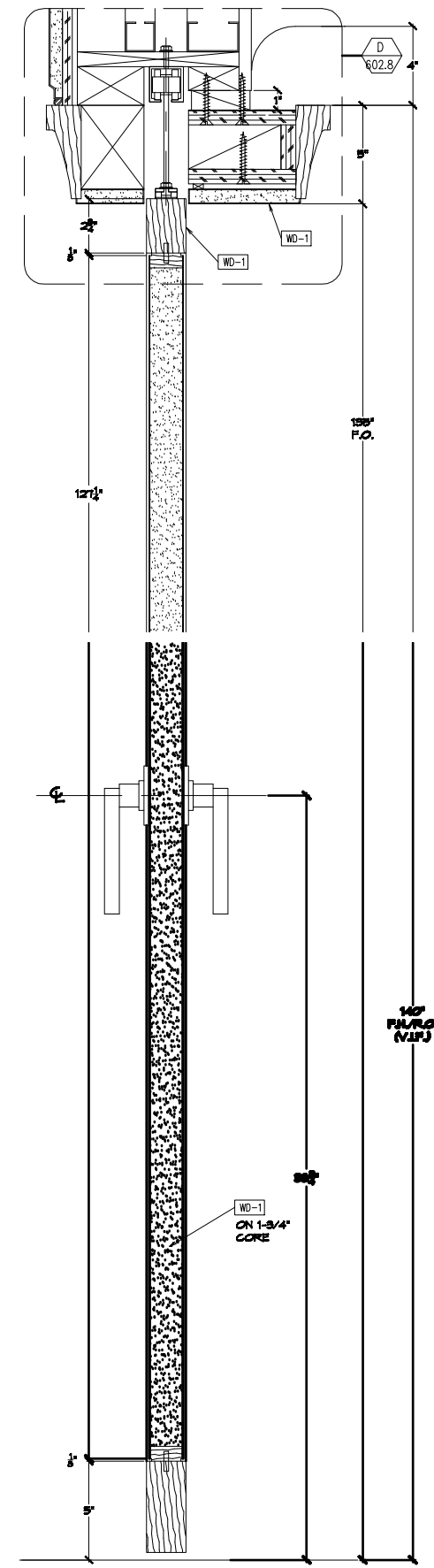
B HORIZ. SECTION - TYPE "O" DOOR
602.8 SCALE: 3"=1'0" REF: 6/D2.17B



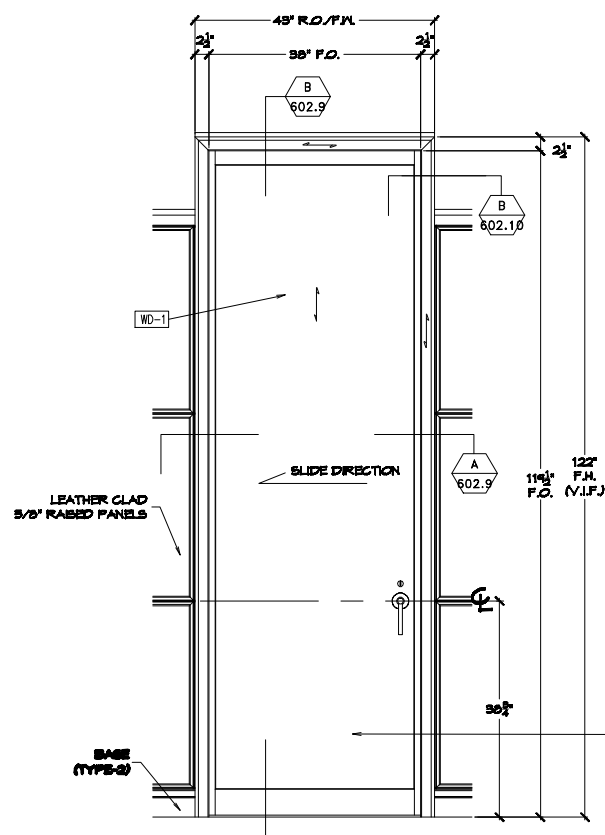
C TYP. JAMB - TYPE "O" DOOR
602.8 SCALE: 6"=1'0" REF: 6/D2.17B



D TYP. JAMB - TYPE "O" DOOR
602.8 SCALE: 6"=1'0" REF: 14/D2.17B



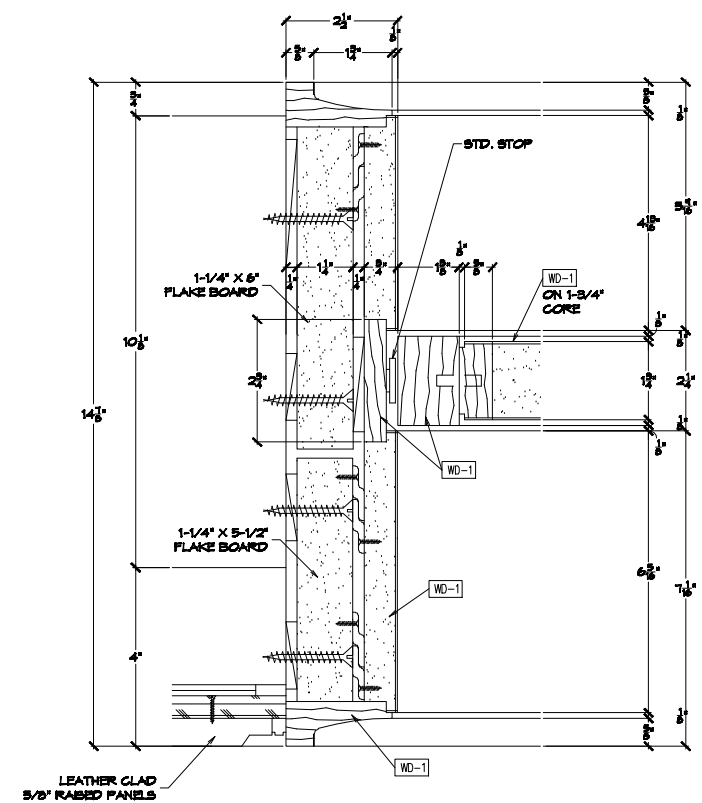
A VERT. SECTION - TYPE "O" DOOR
602.8 SCALE: 3"=1'0" REF: 14/D2.17B



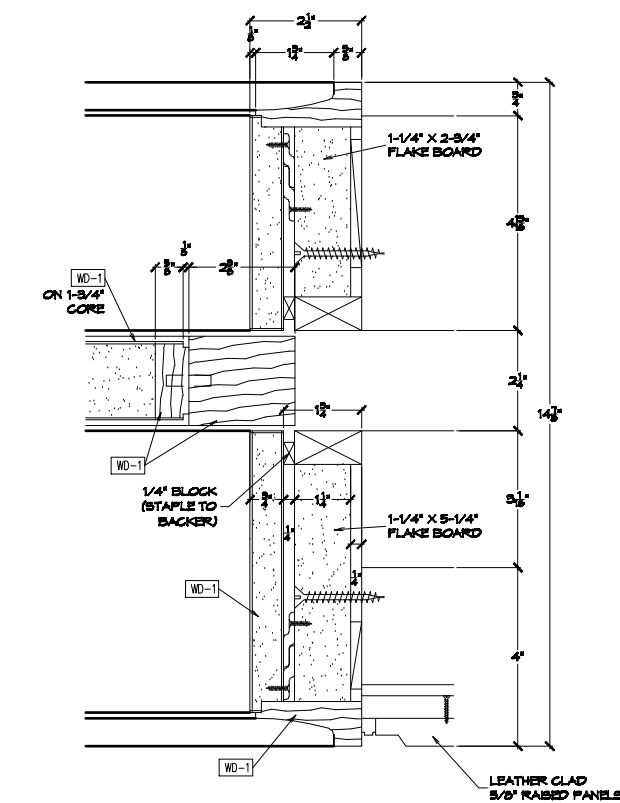
1 ELEVATION - TYPE "L" DOORS
602.9 SCALE: 3/4"=1'0" REF: 55/D2.13

ARCH NOTE!
THE F.H./R.O.
OF THIS DOOR
HAS BEEN REVISED.
(SEE 602.10 - FOR
REAR ELEVATION)

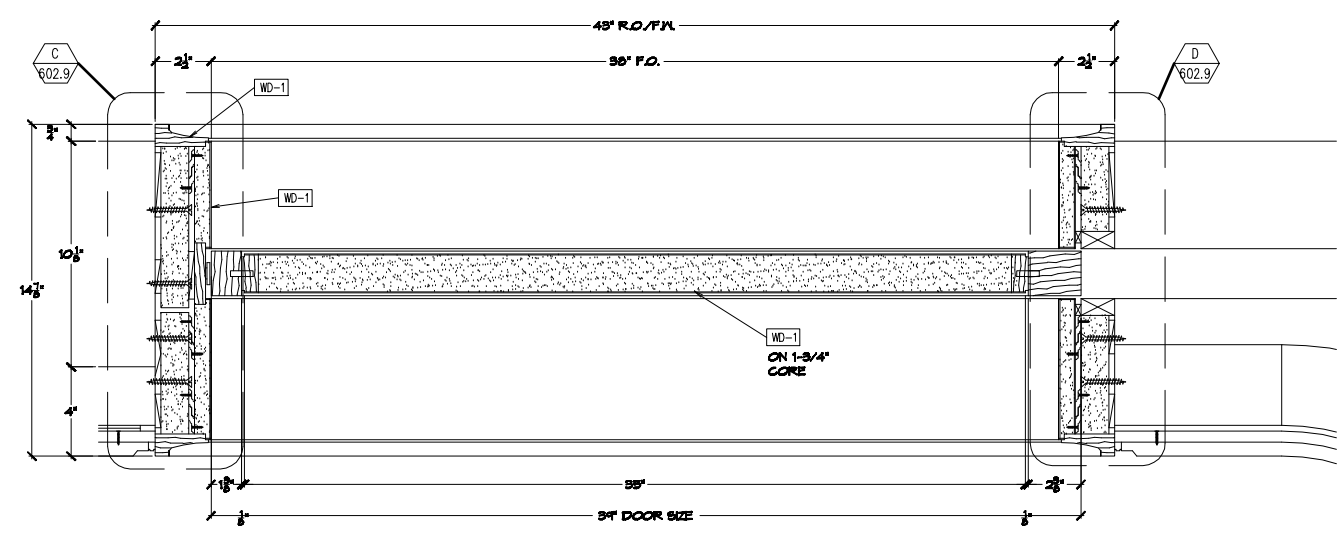
2 EA. REQ'D.
AS SHOWN



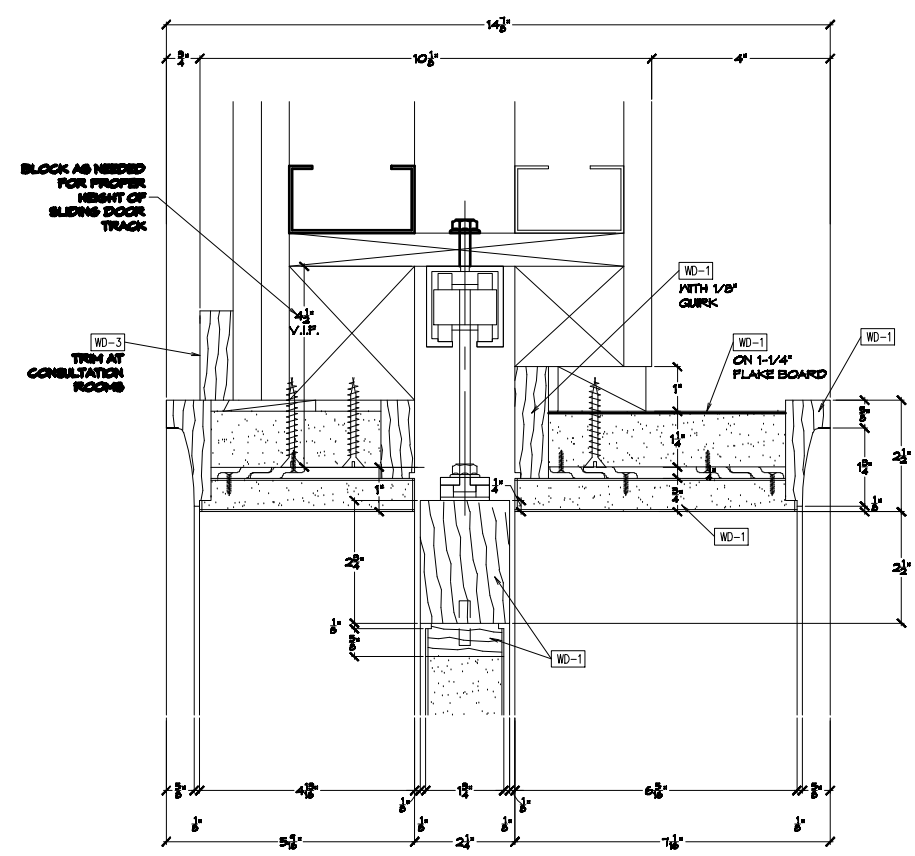
C JAMB - STRIKE SIDE - TYPE "L" DOORS
602.9 SCALE: 6"=1'0" REF: 1/D2.17C



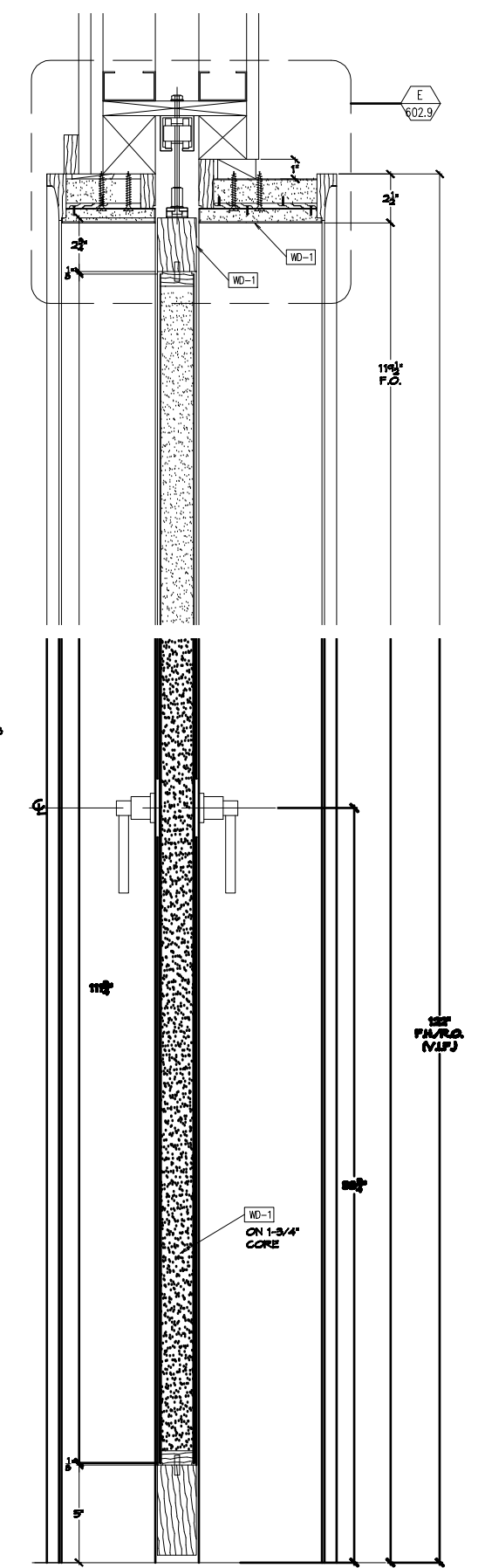
D JAMB - POCKET SIDE - TYPE "L" DOORS
602.9 SCALE: 6"=1'0" REF: 1/D2.17C



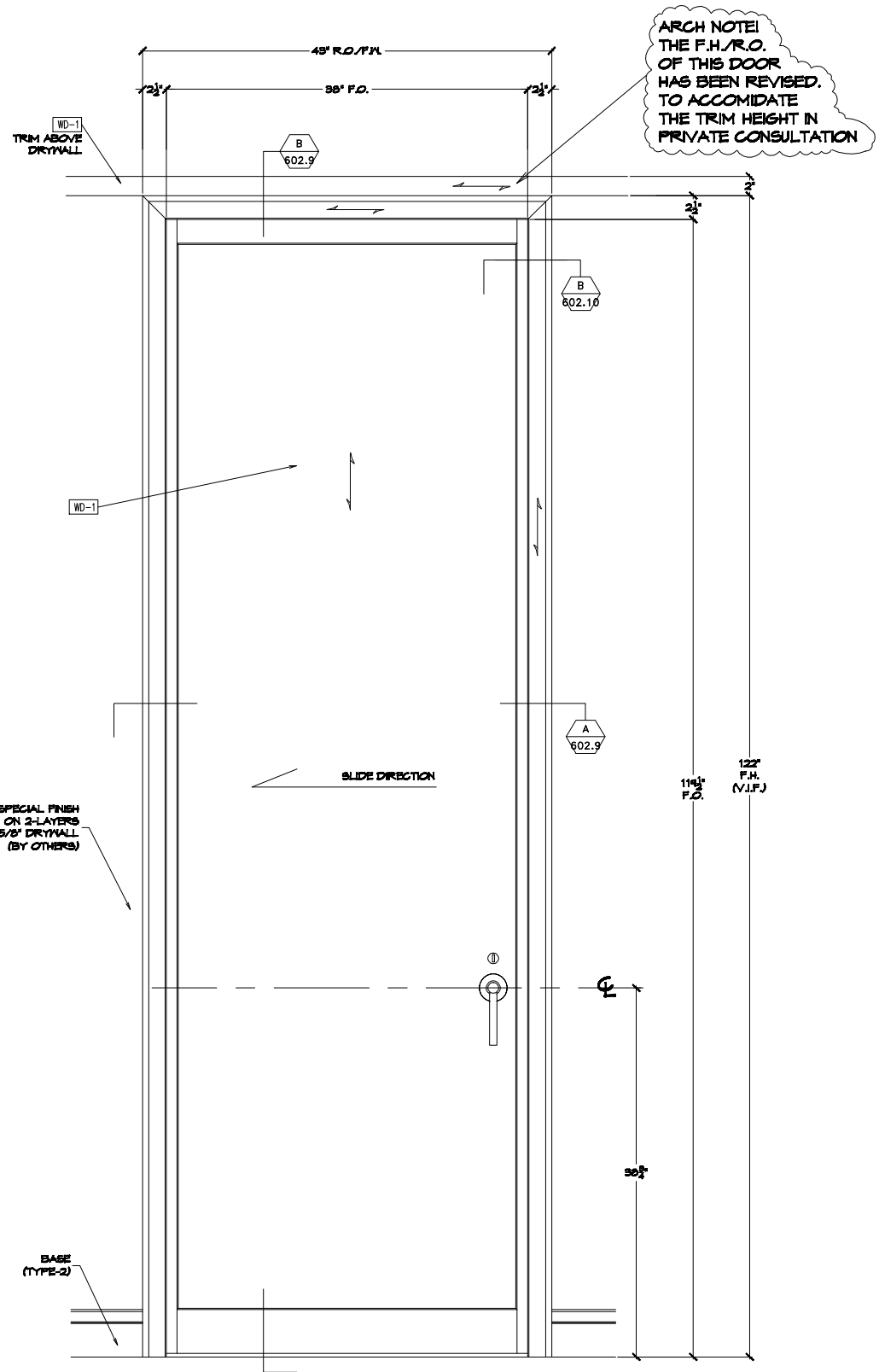
A HORIZ. SECTION - TYPE "L" DOORS
602.9 SCALE: 3"=1'0" REF: 1/D2.17C



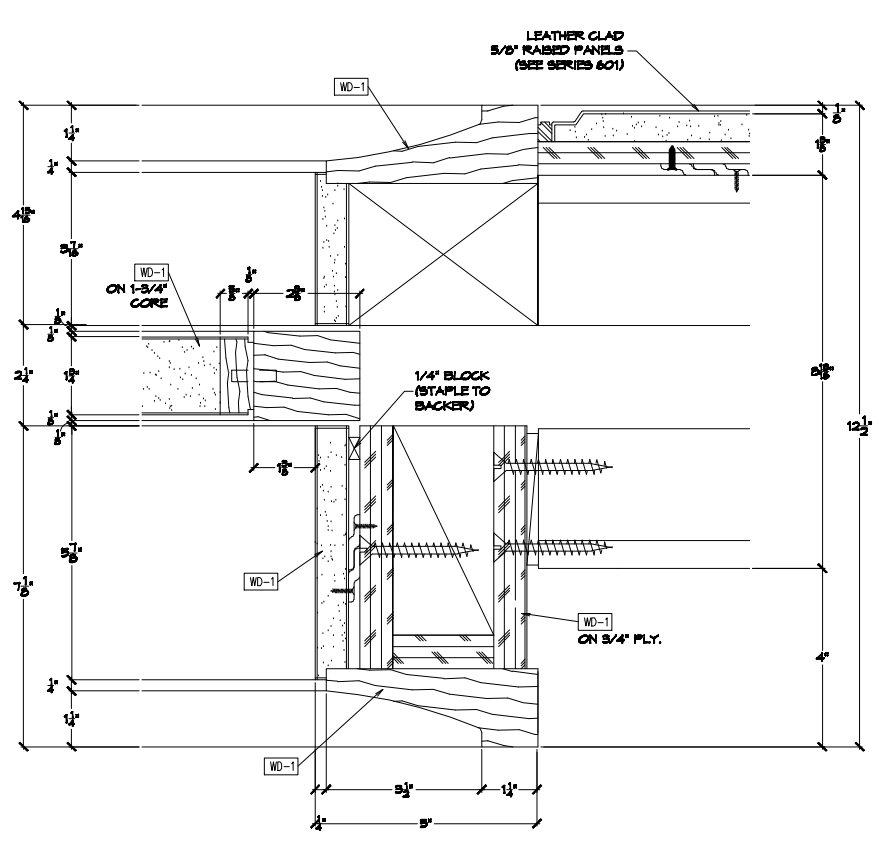
E HEAD DETAIL - TYPE "L" DOORS
602.9 SCALE: 6"=1'0" REF: 2/D2.17C



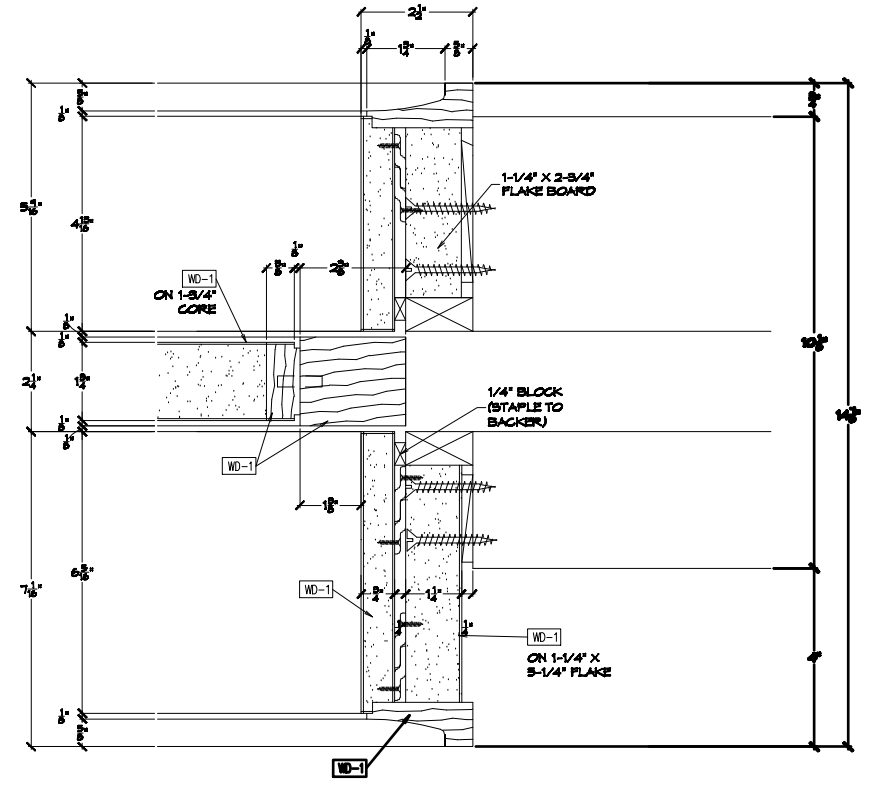
B VERT. SECTION - TYPE "L" DOORS
602.9 SCALE: 3"=1'0" REF: 2/D2.17C



ARCH NOTE!
THE F.H./R.O.
OF THIS DOOR
HAS BEEN REVISED.
TO ACCOMMODATE
THE TRIM HEIGHT IN
PRIVATE CONSULTATION



A UPPER JAMB - TYPE "O" DOOR
602.10 SCALE: 6"=1'0" REF: NONE

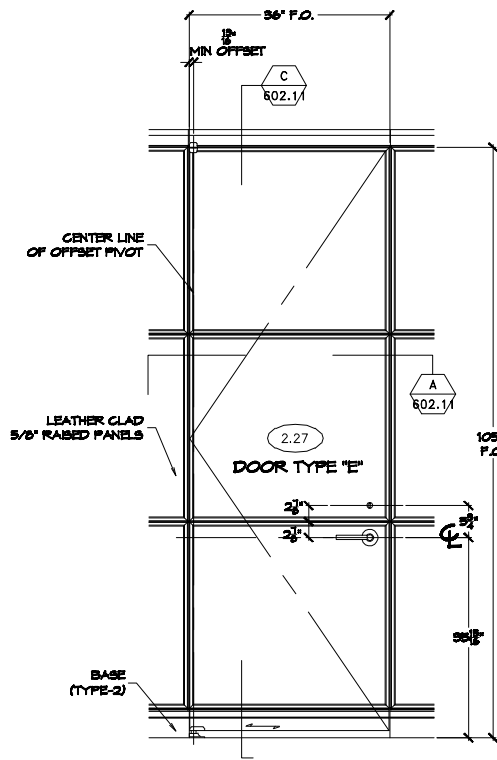


B UPPER JAMB - TYPE "L" DOORS
602.10 SCALE: 6"=1'0" REF: NONE

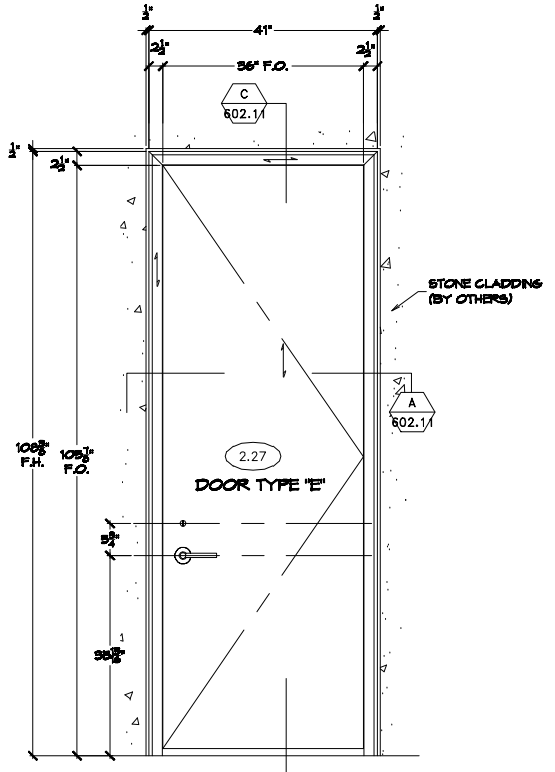
1 REAR ELEVATION - TYPE "L" DOORS
602.10 SCALE: 1-1/2"=1'0" REF: 57/61/D2.14

2 EA. REQ'D.
AS SHOWN

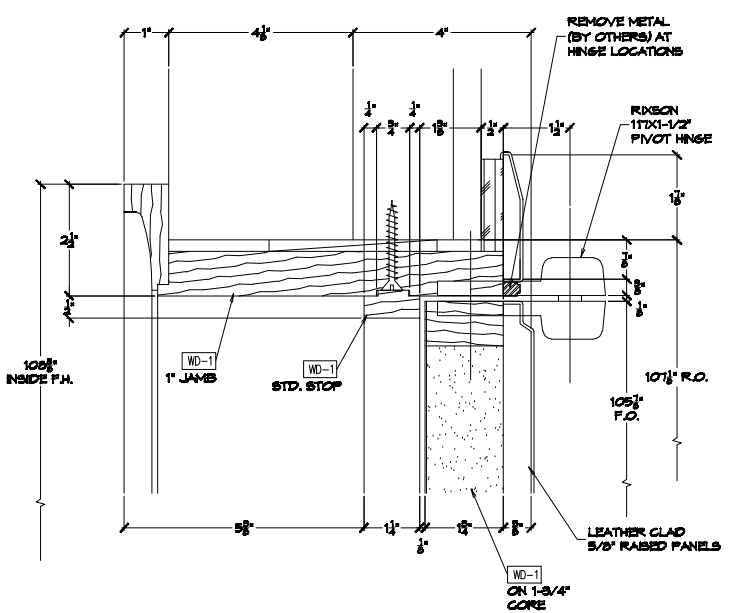




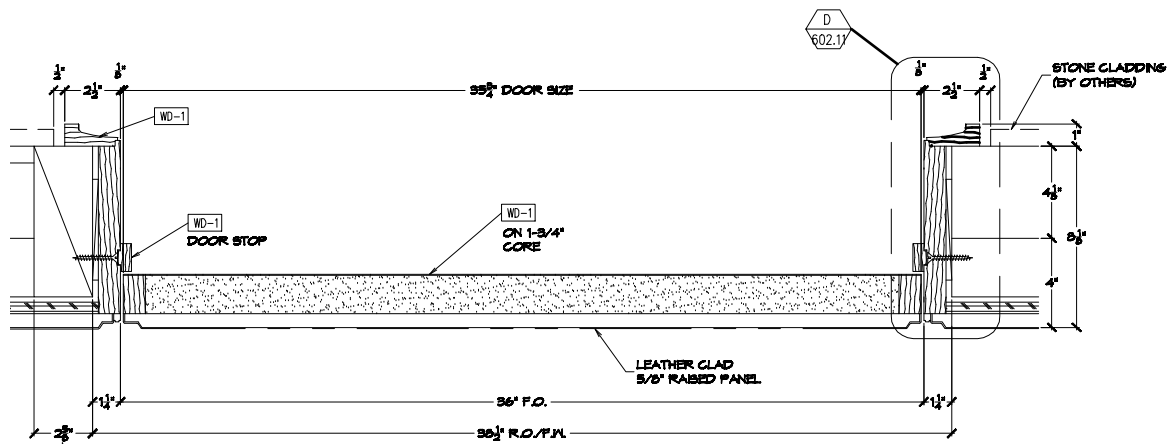
1 ELEVATION - TYPE "E" DOOR
602.11 SCALE: 3/4"=1'0" REF: 53/D2.13



2 REAR ELEVATION - TYPE "E" DOOR
602.11 SCALE: 3/4"=1'0" REF: NONE

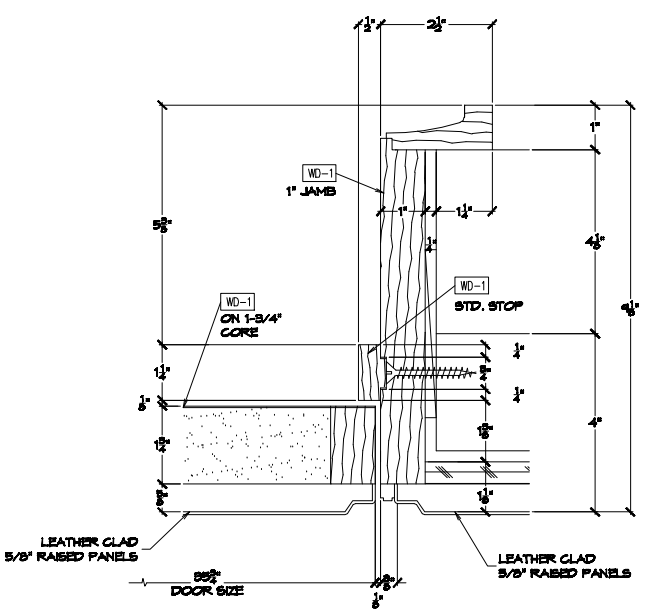


A HEAD DETAIL - TYPE "E" DOOR
602.11 SCALE: 6"=1'0" REF: NONE

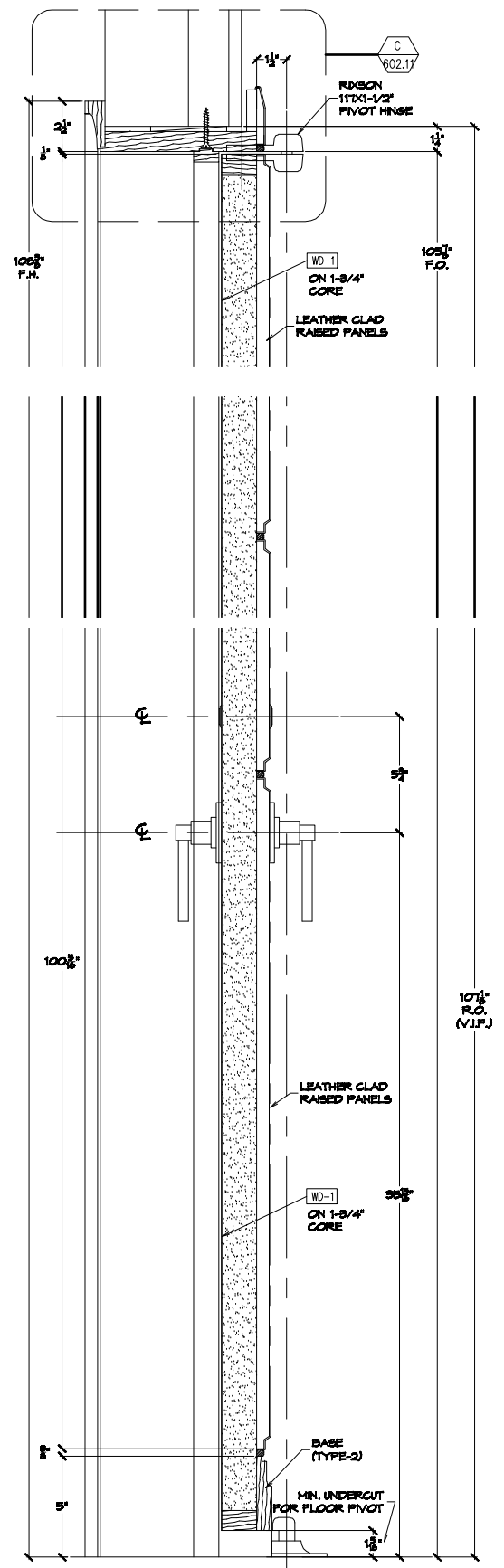


B HORIZ. SECTION - TYPE "E" DOOR
602.11 SCALE: 3"=1'0" REF: NONE

FIELD MODIFY R.O. TO SHRINK FROM 41-1/8" TO 36-1/2"



C JAMB - TYPE "E" DOOR
602.11 SCALE: 6"=1'0" REF: NONE



D VERT. SECTION - TYPE "E" DOOR
602.11 SCALE: 3"=1'0" REF: NONE